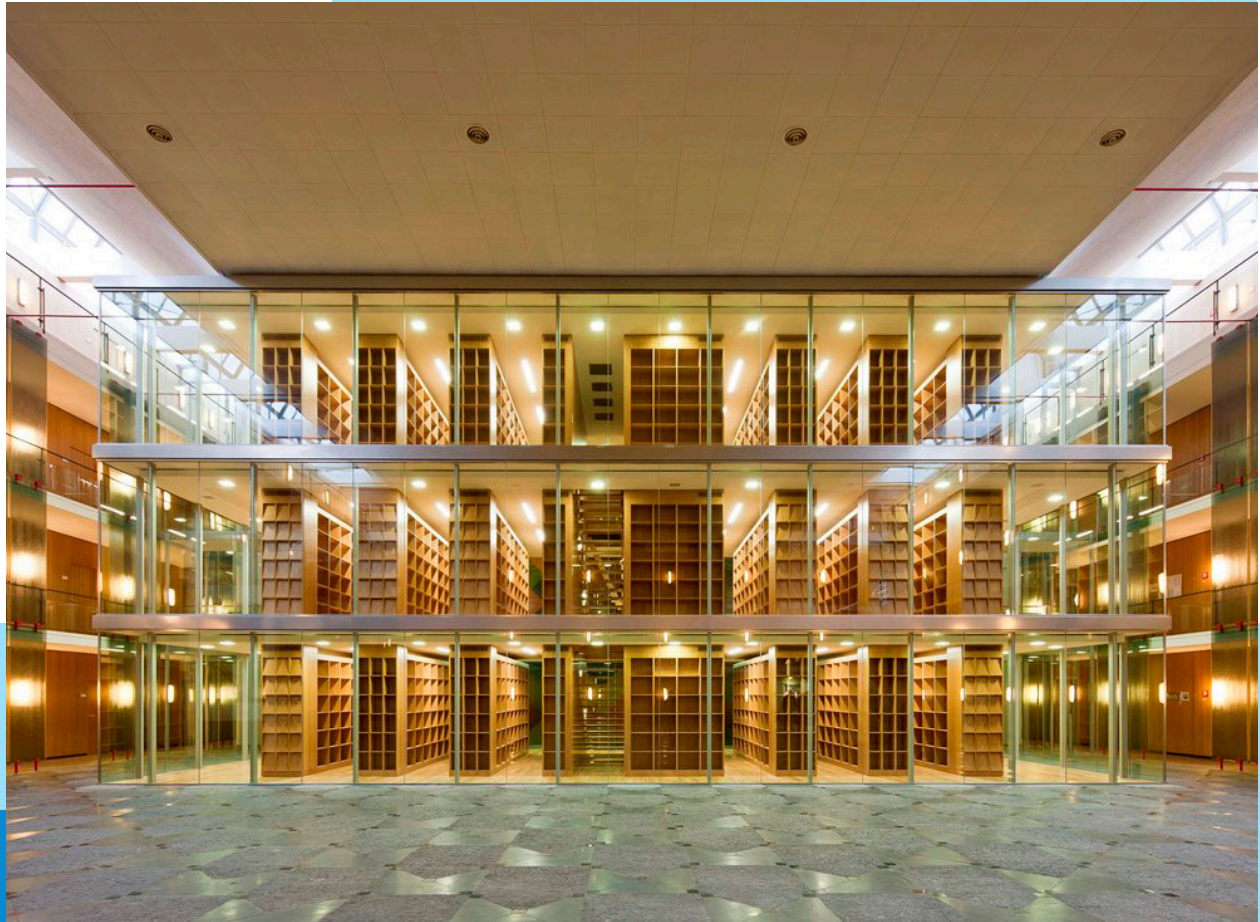


Promat



PROMAT SYSTEMGLAS®

Specifiers Guide 2024

About Promat UK

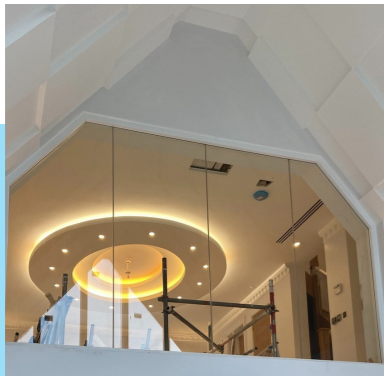
Promat UK is an acknowledged leader in the manufacture and supply of fire, thermal and acoustic solutions. We are proud to provide a range of products that are trusted, proven and installed worldwide, across a diverse range of industries and applications. Promat UK is a division of Etex Industry who are a key part of the Etex Group, a global company operating in 42 countries, with over 110 sites and more than 11,000 skilled and dedicated professionals.

Promat SYSTEMGLAS®

Promat SYSTEMGLAS® was the first butt jointed glazed fire protection system to be developed for the UK market and has continuously been improved over its more than 30 year history of providing passive fire protection. This system can either be framed or butt jointed so architects can achieve unlimited runs of aesthetically appealing glazing without any compromise to fire resistance. All components are tested together as a certified system and there are a variety of framing options to suit the interior of any building. SYSTEMGLAS® meets or beats the most stringent UK and European passive fire protection regulations. The use of fully trained Promat-approved with recommended installers ensures complete peace of mind that it has been installed in line with Promat guidelines along with maximum reassurance of supply chain traceability.

SYSTEMGLAS® Options

Promat SYSTEMGLAS® Celare



Promat SYSTEMGLAS® Advenerat



Promat SYSTEMGLAS® Stratum Walk On Floor



Promat SYSTEMGLAS® Ligna



Promat SYSTEMGLAS® Ferro



WHY SYSTEMGLAS® IS 'SPECIFIED FOR A REASON'®

- The glass, framing and components are fire tested together as a complete certified system
- Promat has solutions for the entire market, ranging from fire-rated solutions with 30 minutes integrity and insulation (EI30) up to 120 minutes (EI120)
- Produced in-house by Promat for maximum supply chain traceability
- As part of the 360° wheel of assurance, the system is fitted by Promat recommended installers and a Certificate of Conformity is issued by Promat UK
- Butt jointed glazing for maximum light transmission and a contemporary appearance
- Project support by Promat UK from specification through to installation
- A history of over 30 years producing fire rated glazing systems across the world

360 Degree Wheel of Assurance

To prevent product substitution and poor installation, Promat UK introduced the 360° Wheel of Assurance for SYSTEMGLAS®. Promat's technical experts provide guidance on the right approach at the design and specification stage. The system is manufactured in-house to ensure all cutting and processing is completed to the highest standard. Promat inspects the system on completion to ensure it has been installed in accordance with Promat recommendations and a certificate of conformity is provided ensuring the integrity of the system from start to finish.

Promat can provide this assurance because it is in complete control of the design and manufacture process, and has in-depth knowledge of the installation requirements. This means supply chain risks, such as product substitution or poor installation, can be eliminated.

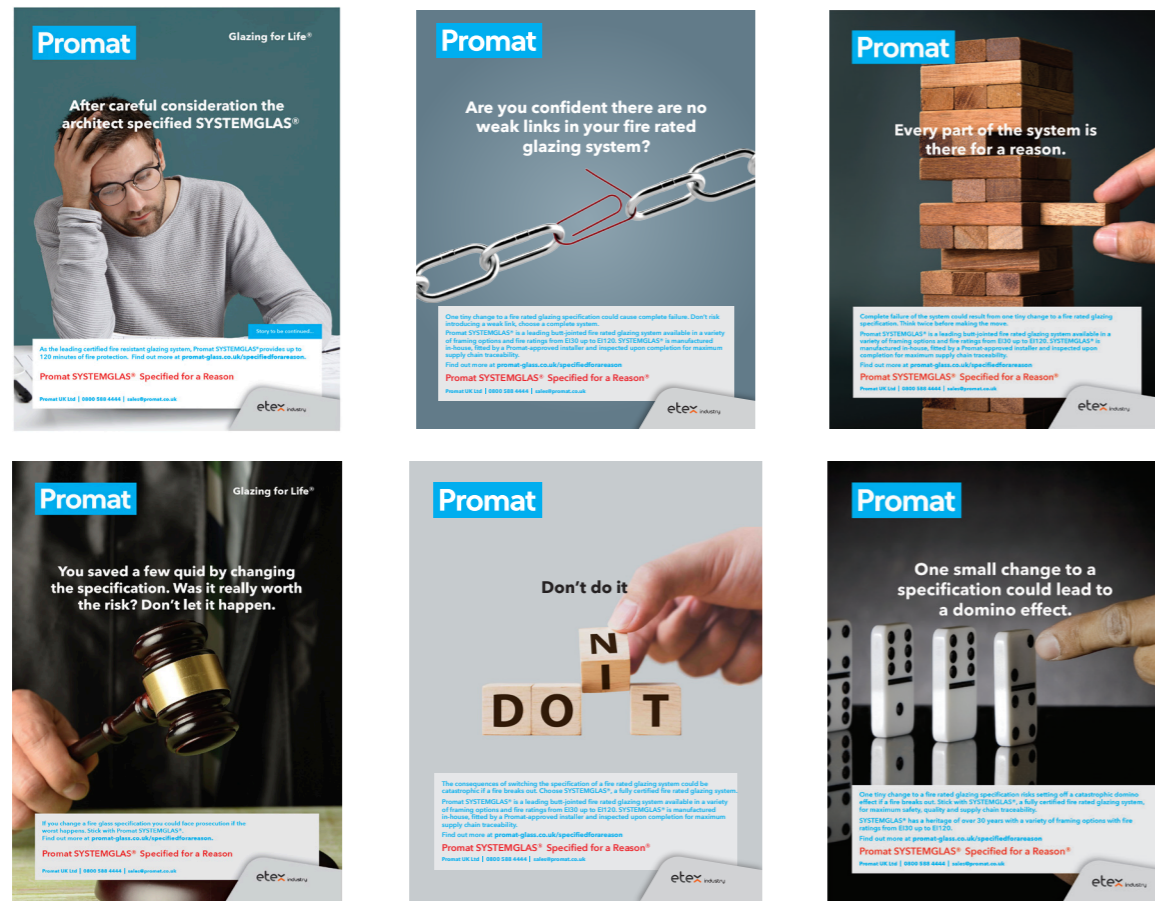
360° Wheel of Assurance for Promat SYSTEMGLAS®



SYSTEMGLAS® SPECIFIED FOR A REASON®

In 2020 Promat initiated the thought provoking 'Specified for a reason®' campaign to challenge product substitution in the industry and emphasise the importance of using a fully certified system.

The advertisements featured in a number of architectural journals and won an award for the most memorable and effective advertising campaign.



SYSTEMGLAS® OUR VISION

"Protecting lives and property by reducing fire risk through education and increasing knowledge in the construction industry. Our expert advice, tested products and guidance result in safer solutions for the built environment. "

Promat UK Capabilities



- UKAS Accredited In House Test Facility
- Barrier Load Calculations
- Acoustic Simulations
- Expert Technical Assistance
- Project Specific Assessments
- Installer Training Courses



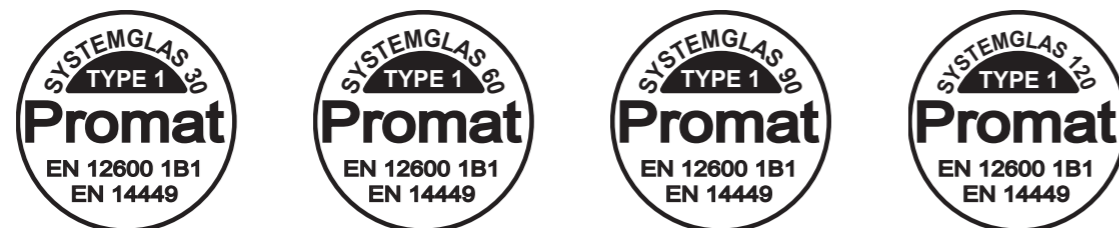
SYSTEMGLAS® Information

CPD Presentations

Promat offer a variety of educational resources, including 'The Burning Question' fire rated glass CPD and the comprehensive SYSTEMGLAS® CPD, which can be delivered at your office or online. Promat are also able to provide CertifiRE test evidence for the SYSTEMGLAS® range.

SYSTEMGLAS® Product Stamps

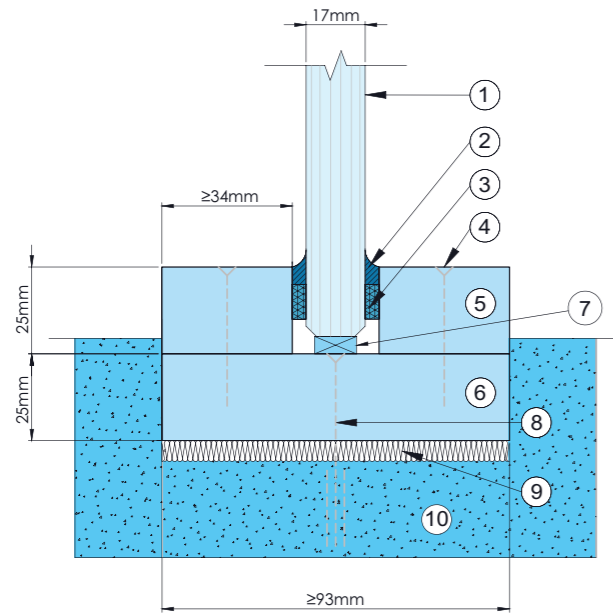
If there is not a Promat SYSTEMGLAS® stamp on the glazing then it is not SYSTEMGLAS®



Find out more at <https://www.promat.com/en-gb/industry/markets/fire-rated-glass/>

SYSTEMGLAS® CELARE EI30

SYSTEMGLAS® Celare is a unique fire rated glazing system providing the ultimate solution in maximising light transmission without compromising fire safety. The Promat fire resistant PROMATECT® H Calcium Silicate perimeter framing system is completely hidden in the structures of the wall, floor and ceiling to deliver a 'virtually frameless' and aesthetically pleasing solution in combination with the butt jointed glazing. Whilst the system can be completely hidden in the floor, Promat recommends leaving a small threshold to avoid damage from cleaning appliances.



Certifire CF5452

- 1 SYSTEMGLAS®
- 2 SYSTEMGLAS® Silicone sealant
- 3 Self-adhesive neoprene glazing tape, 10x3mm
- 4 Bead fixings, steel screws, 3.5x45mm at maximum 300mm centres
- 5 Glazing Beads, PROMATECT® H 25mm thick x 34mm wide
- 6 Perimeter frame, PROMATECT® H 25mm thick x 93mm wide
- 7 PROMATECT® H setting blocks, 6mm thick x 17mm wide x 150mm long
- 8 Masonry fixing, steel anchor or similar
- 9 Compressed rock fibre 45kg/m³ density 10mm thick x 93mm.
- 10 Solid wall, floor or soffit with fire resistance equal to, or greater than that of the glazing system

EI30 Glazing Specification

- Sizes outlined below. Contact us for larger sizes
- 39 dBRw sound reduction
- 2B2 safety rating
- 40kg/m²
- 84% light transmission (internal grade)
- External grade available for UV protection

Additional Glass Options

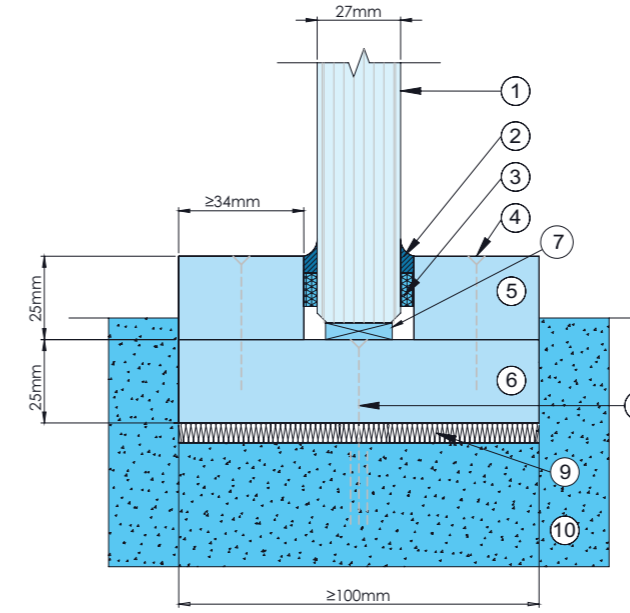
- Low Iron available
- External grade for UV stability
- Screen manifestation
- Enhanced acoustics (using EG products)

SYSTEMGLAS® Celare EI30 Modular Dimensions (Larger sizes available on request)

		Height (mm)	Width (mm)
VERTICAL		3000	1000
HORIZONTAL		1750	3150

SYSTEMGLAS® CELARE EI60

SYSTEMGLAS® Celare is a unique fire rated glazing system providing the ultimate solution in maximising light transmission without compromising fire safety. The Promat fire resistant PROMATECT® H Calcium Silicate perimeter framing system is completely hidden in the structures of the wall, floor and ceiling to deliver a 'virtually frameless' and aesthetically pleasing solution in combination with the butt jointed glazing. Whilst the system can be completely hidden in the floor, Promat recommends leaving a small threshold to avoid damage from cleaning appliances.



Certifire CF5452

- 1 SYSTEMGLAS®
- 2 SYSTEMGLAS® Silicone sealant
- 3 Self-adhesive neoprene glazing tape, 10x3mm
- 4 Bead fixings, steel screws, 3.5x45mm at maximum 300mm centres
- 5 Glazing Beads, PROMATECT® H 25mm thick x 34mm wide
- 6 Perimeter frame, PROMATECT® H 25mm thick x 106mm wide
- 7 PROMATECT® H setting blocks, 6mm thick x 25mm wide x 150mm long
- 8 Masonry fixing, steel anchor or similar
- 9 Compressed rock fibre 45kg/m³ density 10mm thick x 100mm
- 10 Solid wall, floor or soffit with fire resistance equal to, or greater than that of the glazing system

EI60 Glazing Specification

- 40 dBRw sound reduction
- 1B1 safety rating
- 60kg/m²
- 81% light transmission (internal grade)

Additional Glass Options

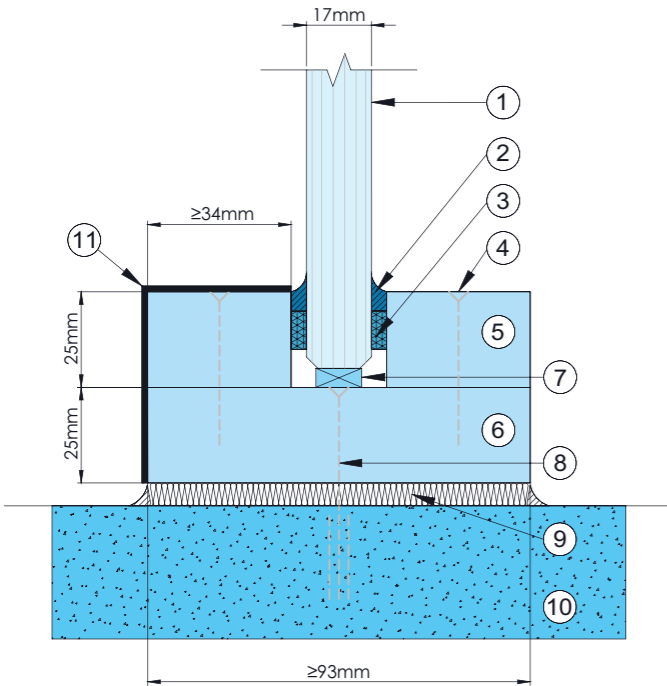
- Low Iron available
- External grade for UV stability
- Screen manifestation
- Enhanced acoustics (using EG products)

SYSTEMGLAS® Celare EI60 Modular Dimensions (Larger sizes available on request)

		Height (mm)	Width (mm)
VERTICAL		3000	1000
HORIZONTAL		1576	3051

SYSTEMGLAS® ADVENERAT EI30

SYSTEMGLAS® Advenerat is an innovative fire rated glazing system specifically designed to complement the decor of any building. The Promat fire resistant PROMATECT® H Calcium Silicate perimeter framing system can be over clad, painted or powder coated to provide a variety of styles and effects in combination with the butt jointed glass



Certifire CF5452

- 1 SYSTEMGLAS®
- 2 SYSTEMGLAS® Silicone sealant
- 3 Self-adhesive neoprene glazing tape, 10x3mm
- 4 Bead fixings, steel screws, 3.5x45mm at maximum 300mm centres
- 5 Glazing Beads, PROMATECT® H 25mm thick x 34mm wide
- 6 Perimeter frame, PROMATECT® H 25mm thick x 93mm wide
- 7 PROMATECT® H setting blocks, 6mm thick x 17mm wide x 150mm long
- 8 Masonry fixing, steel anchor or similar
- 9 Compressed rock fibre 45kg/m³ density 10mm thick x 93mm
- 10 Solid wall, floor or soffit with fire resistance equal to, or greater than that of the glazing system
- 11 Optional cladding

EI30 Glazing Specification

- Sizes outlined below. Contact us for larger sizes
- 39 dBRw sound reduction
- 2B2 safety rating
- 40kg/m²
- 84% light transmission (internal grade)
- External grade available for UV protection

Additional Glass Options

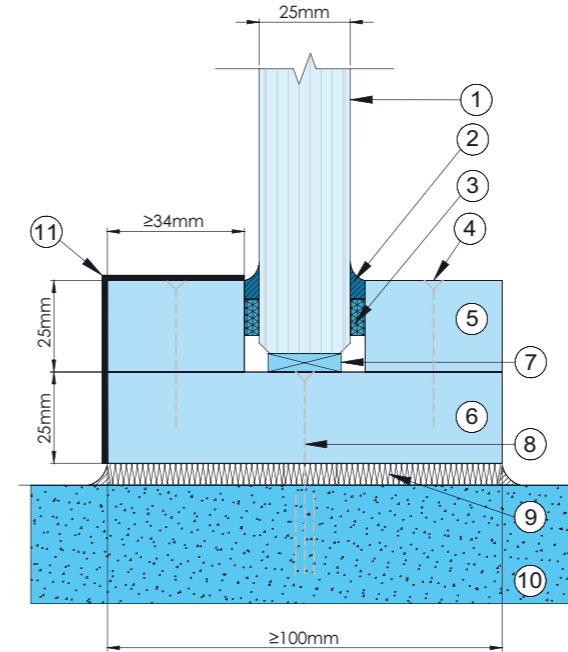
- Low Iron available
- External grade for UV stability
- Screen manifestation
- Enhanced acoustics (using EG products)

SYSTEMGLAS® Advenerat EI30 Modular Dimensions (Larger sizes available on request)

		Height (mm)	Width (mm)
VERTICAL		3000	1000
HORIZONTAL		1750	3150

SYSTEMGLAS® ADVENERAT EI60

SYSTEMGLAS® Advenerat is an innovative fire rated glazing system specifically designed to complement the decor of any building. The Promat fire resistant PROMATECT® H Calcium Silicate perimeter framing system can be over clad, painted or powder coated to provide a variety of styles and effects in combination with the butt jointed glass.



Certifire CF5452

- 1 SYSTEMGLAS®
- 2 SYSTEMGLAS® Silicone sealant
- 3 Self-adhesive neoprene glazing tape, 10x3mm
- 4 Bead fixings, steel screws, 3.5x45mm at maximum 300mm centres
- 5 Glazing Beads, PROMATECT® H 25mm thick x 34mm wide
- 6 Perimeter frame, PROMATECT® H 25mm thick x 106mm wide
- 7 PROMATECT® H setting blocks, 6mm thick x 25mm wide x 150mm long
- 8 Masonry fixing, steel anchor or similar
- 9 Compressed rock fibre 45kg/m³ density 10mm thick x 100mm
- 10 Solid wall, floor or soffit with fire resistance equal to, or greater than that of the glazing system
- 11 Optional cladding

EI60 Glazing Specification

- Sizes outlined below. Contact us for larger sizes
- 40 dBRw sound reduction
- 1B1 safety rating
- 60kg/m²
- 81% light transmission (internal grade)
- External grade available for UV protection

Additional Glass Options

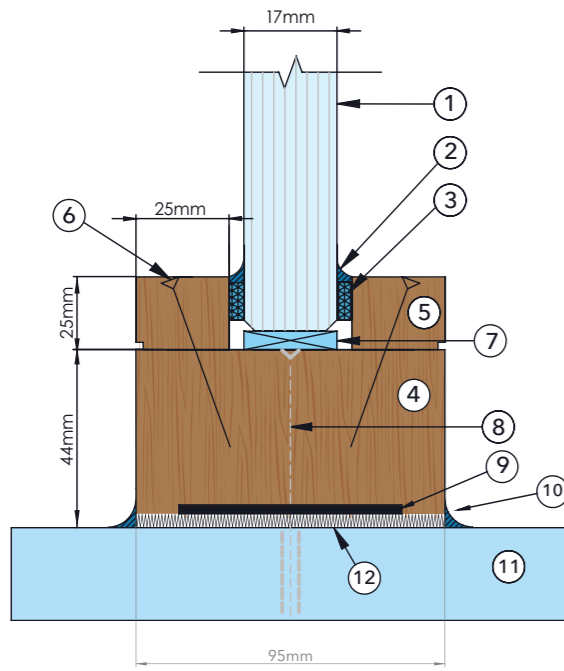
- Low Iron available
- External grade for UV stability
- Screen manifestation
- Enhanced acoustics (using EG products)

SYSTEMGLAS® Advenerat EI60 Modular Dimensions (Larger sizes available on request)

		Height (mm)	Width (mm)
VERTICAL		3000	1000
HORIZONTAL		1576	3051

SYSTEMGLAS® LIGNA EI30

SYSTEMGLAS® Ligna is a timber butt jointed fire rated glazing system designed to match contemporary or traditional building interiors. Suitable for combination with tested timber doorsets, this solution combines the natural beauty of a timber product with the functionality of a fire protection system in critical areas.

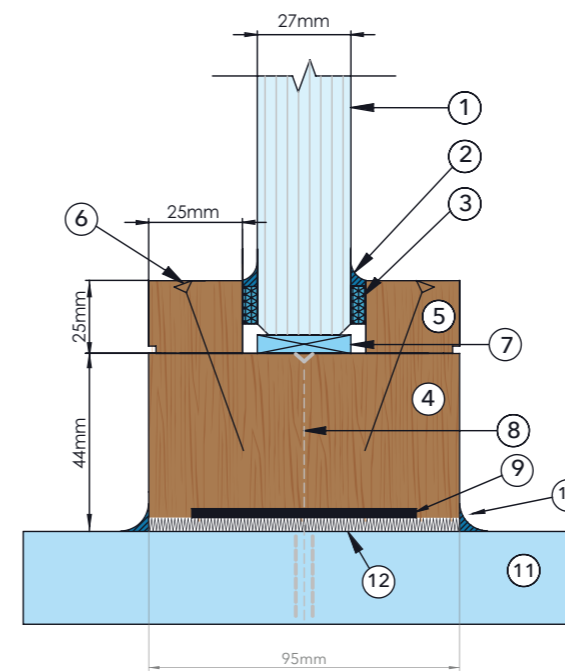


Certifire CF5452

- 1 Promat SYSTEMGLAS® 30
- 2 Promat SYSTEMGLAS® silicone sealant
- 3 Self-adhesive neoprene glazing tape, 10x3mm
- 4 Hardwood Timber Frame - 640kg/m³
- 5 Hardwood Beads - 640kg/m³
- 6 Steel screws 5mm x 50mm at 300mm centres
- 7 Promatect®-H or hardwood setting blocks 6mm thick x 17mm wide x 50mm long
- 8 Masonry fixing, steel anchor or similar
- 9 PROMASEAL® PL intumescent strip (2.7mm thick)
- 10 Intumescent Silicone Seal
- 11 Solid wall, floor or soffit with fire resistance equal to, or greater than that of the glazing system
- 12 Compressed rock fibre 45kg/m³ 10mm thick x 95mm wide

SYSTEMGLAS® LIGNA EI60

SYSTEMGLAS® Ligna is a timber butt jointed fire rated glazing system designed to match contemporary or traditional building interiors. Suitable for combination with tested timber doorsets, this solution combines the natural beauty of a timber product with the functionality of a fire protection system in critical areas.



Certifire CF5452

- 1 Promat SYSTEMGLAS® 60
- 2 Promat SYSTEMGLAS® silicone sealant
- 3 Self-adhesive neoprene glazing tape, 10x3mm
- 4 Hardwood Timber Frame - 640kg/m³
- 5 Hardwood Beads - 640kg/m³
- 6 Steel screws, 5mm x 50mm screws at 200mm centres
- 7 Promatect® H or hardwood setting blocks 6mm thick x 27mm wide x 50mm long
- 8 Masonry fixing, steel anchor or similar
- 9 PROMASEAL® PL intumescent strip (2.7mm thick)
- 10 Intumescent Silicone Seal
- 11 Solid wall, floor or soffit with fire resistance equal to, or greater than that of the glazing system
- 12 Compressed rock fibre 45kg/m³ 10mm thick x 95mm wide

EI30 Glazing Specification

- Sizes outlined below. Contact us for larger sizes
- 39 dBRw Sound reduction
- 2B2 Safety Rating
- 40kg / m²
- 84% light transmission (internal grade)
- External grade available for UV protection

Additional Glass Options

- Low Iron available
- External grade for UV stability
- Screen Manifestation
- Enhanced Acoustics (using EG Products)
- New 25mm plant on bars available

EI60 Glazing Specification

- Sizes outlined below. Contact us for larger sizes
- 40 dBRw Sound reduction
- 1B1 Safety Rating
- 60kg / m²
- 81% light transmission (internal grade)
- External grade available for UV protection


Additional Glass Options

- Low Iron available
- External grade for UV stability
- Screen Manifestation
- Enhanced Acoustics (using EG Products)
- New 25mm plant on bars available

SYSTEMGLAS® Ligna EI30 Modular Dimensions (Larger sizes available on request)

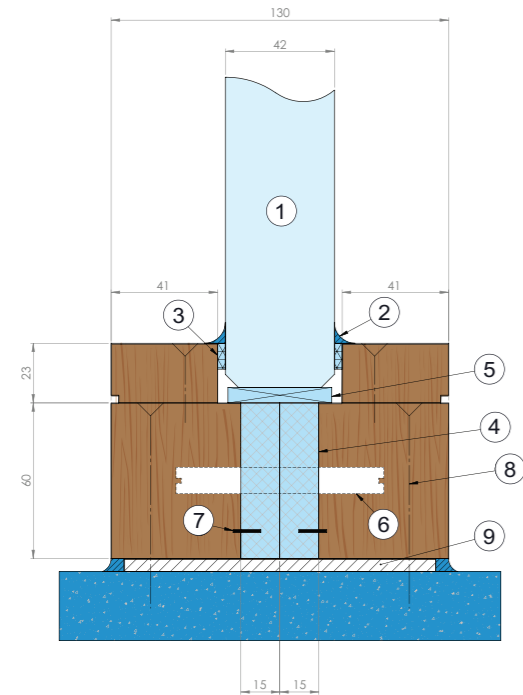
		Height (mm)	Width (mm)
VERTICAL		3000	1000
HORIZONTAL		1750	3150

SYSTEMGLAS® Ligna EI60 Modular Dimensions (Larger sizes available on request)

		Height (mm)	Width (mm)
VERTICAL		3000	1000

SYSTEMGLAS® LIGNA EI90

SYSTEMGLAS® Ligna is a timber butt jointed fire rated glazing system designed to match contemporary or traditional building interiors. Suitable for combination with tested timber doorsets, this solution combines the natural beauty of a timber product with the functionality of a fire protection system in critical areas.



- 1 Promat SYSTEMGLAS® E190 (Promat construction)
- 2 Promat SYSTEMGLAS® silicone 9x3mm Arafix preformed tape
- 3 9x3mm ARAFIX PREFORMED TAPE
- 4 2 off 15mm PROMATECT® H x 60 mm bonded together and to frame profile
- 5 PROMATECT H 6mm Setting Block 42x40mm
- 6 Hardwood Dowel 10x80mm
- 7 Steel Staples - 32/10.7/1.2
- 8 Fixing screw - 600mm centres
- 9 Mineral wool for padding, all melting points to $\geq 1000^{\circ}\text{C}$

Assessment WFRC 418047

EI90 Glazing Specification

- Sizes outlined below. Contact us for larger sizes
- 43 dBRw Sound reduction
- 1B1 Safety Rating
- 97kg / m²
- External grade available for UV protection

Additional Glass Options

- Low Iron available
- External grade for UV stability
- Screen Manifestation
- Enhanced Acoustics (using EG Products)

SYSTEMGLAS® Ligna EI90 Modular Dimensions (Larger sizes available on request)

		Height (mm)	Width (mm)
VERTICAL		2580	1000

SYSTEMGLAS® LIGNA OPTIONS

We offer a fully bespoke manufacturing service and can provide timber systems for almost any application. If you have a particular requirement please do not hesitate to contact us for more details..

Standard Specification

- Sapele Hardwood
- 2 coats primer (white or grey)
- On site decoration by others

Additional Frame Options

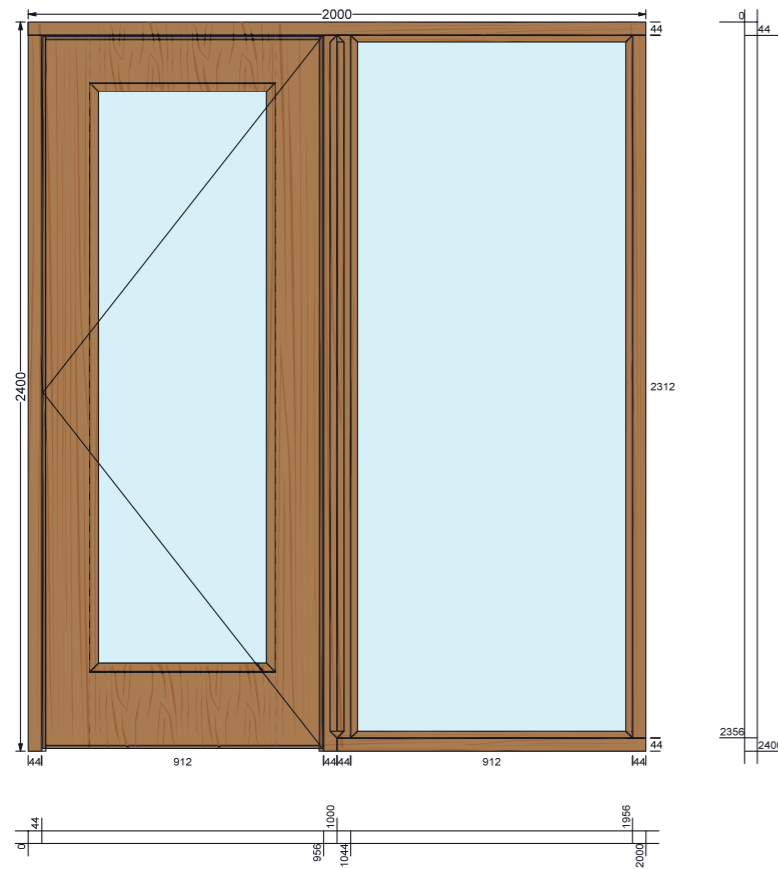
- Other timber species available
- Concealed bead fixing option
- Stains and veneers
- Angled and arched frames
- Plant on bars

Example Stains

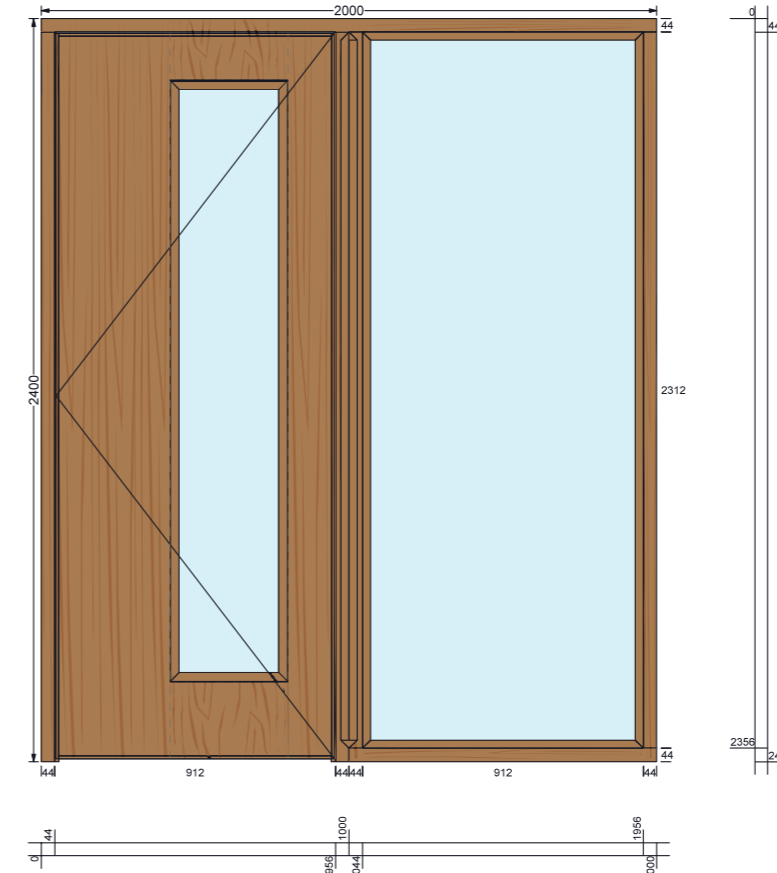


SYSTEMGLAS® LIGNA DOORS EI30

SYSTEMGLAS® LIGNA DOORS EI60



- Standard Ligna Door Specification**
- Single and double door options
 - Ligna 95mm (deep) frame
 - Certified door blank
 - SYSTEMGLAS EI30 vision panels
 - Briton 2003V closer (or similar approved)
 - 100mm Class 13 Stainless Steel butt hinges
 - PROMASEAL® PL intumescent strip (2.7mm thick)



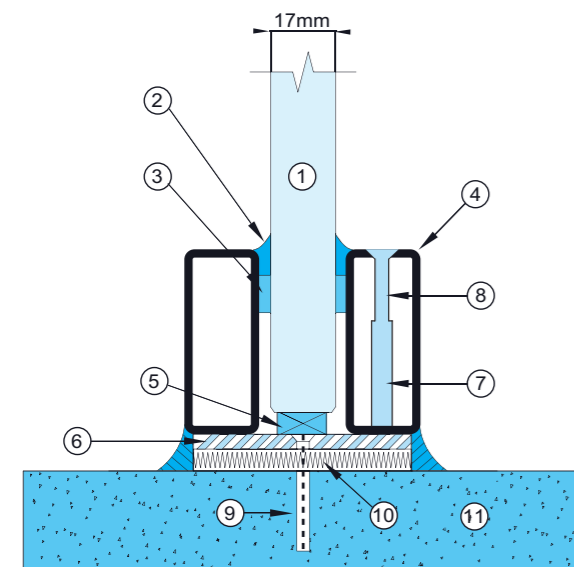
- Standard Ligna Door Specification**
- Single and double door options
 - Ligna 95mm (deep) frame
 - Certified door blank
 - SYSTEMGLAS EI60 vision panels
 - Briton 2003V closer (or similar approved)
 - 100mm Class 13 Stainless Steel butt hinges
 - PROMASEAL® PL intumescent strip (2.7mm thick)

SYSTEMGLAS® Ligna EI30 Door Maximum Dimensions (subject to configuration and finish)		
	Width (mm)	Height (mm)
EI30 DOOR	1220 per leaf	3050mm
VISION PANEL	max 1.15m2 per leaf	

SYSTEMGLAS® Ligna EI60 Door Maximum Dimensions (subject to configuration and finish)		
	Width (mm)	Height (mm)
EI60 DOOR	1220 per leaf	3050mm
VISION PANEL	max 0.72m2 per leaf	

SYSTEMGLAS® FERRO EI30

SYSTEMGLAS® Ferro is the original butt jointed fire rated system from Promat and is the most popular product in the range. Launched over 20 years ago, this steel system has been used on countless prestigious projects throughout Western Europe. The steel frame in conjunction with the butt jointed glazing offers a contemporary feel and maximises light transmission throughout the building. The slimline 50mm steel perimeter framing is tested to large sizes and an unlimited number of vertical panels can be clear butt jointed for a continuous glazed screen.



Certifire CF5452

- 1 SYSTEMGLAS®
- 2 SYSTEMGLAS® Silicone sealant
- 3 Self-adhesive neoprene glazing tape, 10x3mm
- 4 50x20x2mm tubular steel sections
- 5 PROMATECT® H setting blocks, 6mm thick x 17mm x 150mm long
- 6 40x57*x5mm flat steel. Welded to tubular steel sections (* variable to suit overall glass width)
- 7 M6 threaded brace, fixed to flat steel
- 8 Steel screw, 6x30mm
- 9 Masonry fitting, steel anchor or similar
- 10 Compressed rock fibre
- 11 Solid wall, floor or soffit with fire resistance equal to, or greater than that of the glazing system

EI30 Glazing Specification

- Sizes outlined below. Contact us for larger sizes
- 39 dBRw Sound reduction
- 2B2 Safety Rating
- 40kg / m²
- 84% light transmission (internal grade)
- External grade available for UV protection

Additional Glass Options

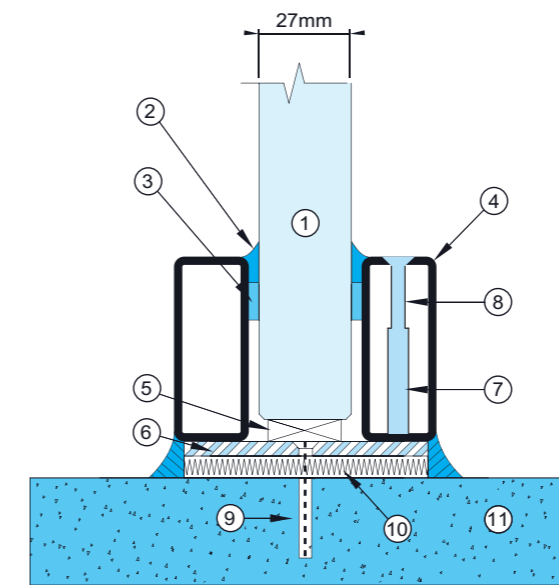
- Low Iron available
- External grade for UV stability
- Screen Manifestation
- Enhanced Acoustics (using EG Products)
- New plant on bars available

SYSTEMGLAS® Ferro EI30 Modular Dimensions (Larger sizes available on request)

		Height (mm)	Width (mm)
VERTICAL		3000	1000
HORIZONTAL		1750	3150

SYSTEMGLAS® FERRO EI60

SYSTEMGLAS® Ferro is the original butt jointed fire rated system from Promat and is the most popular product in the range. Launched over 20 years ago, this steel system has been used on countless prestigious projects throughout Western Europe. The steel frame in conjunction with the butt jointed glazing offers a contemporary feel and maximises light transmission throughout the building. The slimline 50mm steel perimeter framing is tested to large sizes and an unlimited number of vertical panels can be clear butt jointed for a continuous glazed screen.



Certifire CF5452

- 1 SYSTEMGLAS®
- 2 SYSTEMGLAS® Silicone sealant
- 3 Self-adhesive neoprene glazing tape, 10x3mm
- 4 50x20x2mm tubular steel sections
- 5 PROMATECT® H setting blocks, 6mm thick x 25mm x 150mm long
- 6 40x57*x5mm flat steel. Welded to tubular steel sections (* variable to suit overall glass width)
- 7 M6 threaded brace, fixed to flat steel
- 8 Steel screw, 6x30mm
- 9 Masonry fitting, steel anchor or similar
- 10 Compressed rock fibre
- 11 Solid wall, floor or soffit with fire resistance equal to, or greater than that of the glazing system

EI60 Glazing Specification

- Sizes outlined below. Contact us for larger sizes
- 40 dBRw Sound reduction
- 1B1 Safety Rating
- 60kg / m²
- 81% light transmission (internal grade)
- External grade available for UV protection

Additional Glass Options

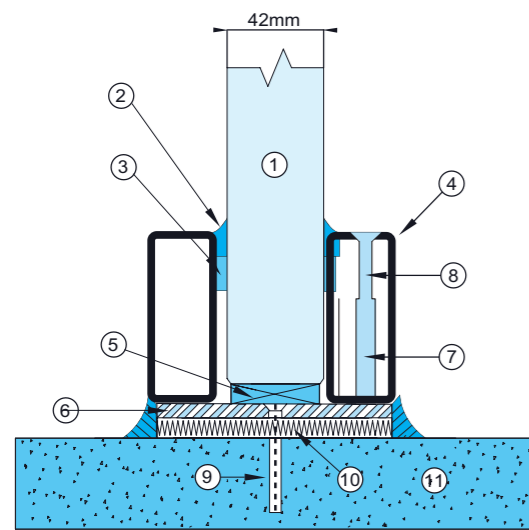
- Low Iron available
- External grade for UV stability
- Screen Manifestation
- Enhanced Acoustics (using EG Products)
- New plant on bars available

SYSTEMGLAS® Ferro EI60 Modular Dimensions (Larger sizes available on request)

		Height (mm)	Width (mm)
VERTICAL		3000	1000

SYSTEMGLAS® FERRO EI90

SYSTEMGLAS® Ferro is the original butt jointed fire rated system from Promat and is the most popular product in the range. Launched over 20 years ago, this steel system has been used on countless prestigious projects throughout Western Europe. The steel frame in conjunction with the butt jointed glazing offers a contemporary feel and maximises light transmission throughout the building. The slimline 50mm steel perimeter framing is tested to large sizes and an unlimited number of vertical panels can be clear butt jointed for a continuous glazed screen.



- 1 SYSTEMGLAS® 90
- 2 SYSTEMGLAS® Silicone sealant
- 3 Self-adhesive neoprene glazing tape, 10x3mm
- 4 50x20x2mm tubular steel sections
- 5 PROMATECT® H setting blocks, 6mm thick
- 6 40x84x5mm flat steel. Fixed to tubular steel
- 7 M6 threaded brace, fixed to flat steel
- 8 Steel screw, 6x30mm
- 9 Masonry fitting, steel anchor or similar
- 10 Compressed wool fibre
- 11 Solid wall, floor or soffit with fire resistance equal to, or greater than that of the glazing system

Assessment WFRC 418047

EI90 Glazing Specification

- Sizes outlined below. Contact us for larger sizes
- 43 dBRw Sound reduction
- 1B1 Safety Rating
- 97kg / m²
- External grade available for UV protection

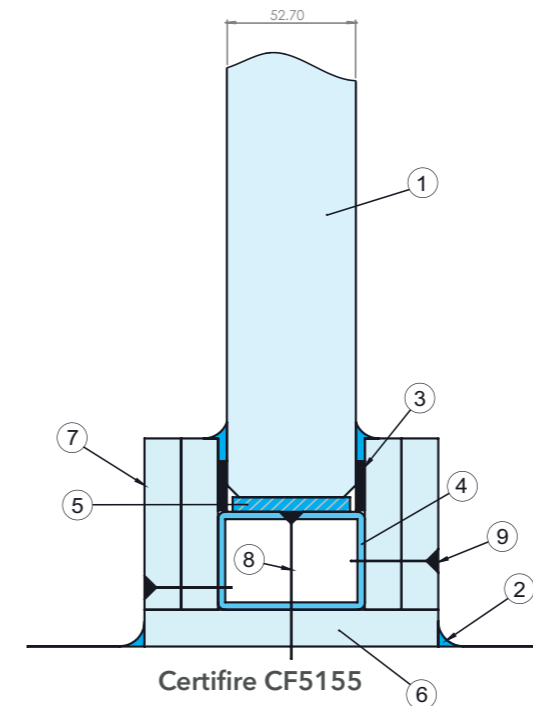
Additional Glass Options

- Low Iron available
- External grade for UV stability
- Screen Manifestation
- Enhanced Acoustics (using EG Products)

SYSTEMGLAS® Ferro EI90 Modular Dimensions (Larger sizes available on request)			
		Height (mm)	Width (mm)
VERTICAL		2700	1000

SYSTEMGLAS® FERRO EI120

SYSTEMGLAS® Ferro is the original butt jointed fire rated system from Promat and is the most popular product in the range. Launched over 20 years ago, this steel system has been used on countless prestigious projects throughout Western Europe. The steel frame in conjunction with the butt jointed glazing offers a contemporary feel and maximises light transmission throughout the building. The slimline 50mm steel perimeter framing is tested to large sizes and an unlimited number of vertical panels can be clear butt jointed for a continuous glazed screen.



- 1 SYSTEMGLAS® 120
- 2 Silicone Sealant
- 3 20x5mm closed cell foam tape
- 4 3mm steel tube 60x40mm
- 5 PROMATECT® H 6mm setting block
- 6 PROMATECT® H 15mmx120mm
- 7 2x15mm PROMATECT® H x70mm
- 8 Masonry fixing, steel anchor or similar
- 9 3.5mm x 55mm screws (30mm centres)

Superwool X607 tape (4mm x 2.55mm) and Kerafix FXL200 tape (10mm x 2mm) is required to each glazing panel edge.

EI120 Glazing Specification

- Sizes outlined below Contact us for larger sizes
- 48 dBRw Sound reduction
- 1B1 Safety Rating
- 120kg / m²
- 75% light transmission (internal grade)
- External grade available for UV protection

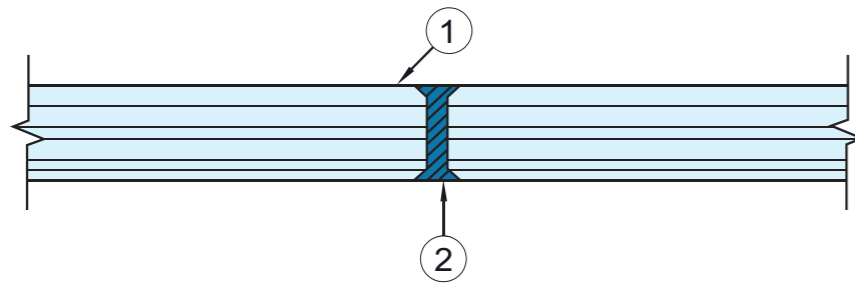
Additional Glass Options

- Low Iron available
- External grade for UV stability
- Screen Manifestation
- Enhanced Acoustics (using EG Products)
- Plant on bars available

SYSTEMGLAS® Ferro EI120 Modular Dimensions (Larger sizes available on request)			
		Height (mm)	Width (mm)
VERTICAL		2900	1000

SYSTEMGLAS® BUTT JOINT OPTIONS CLEAR

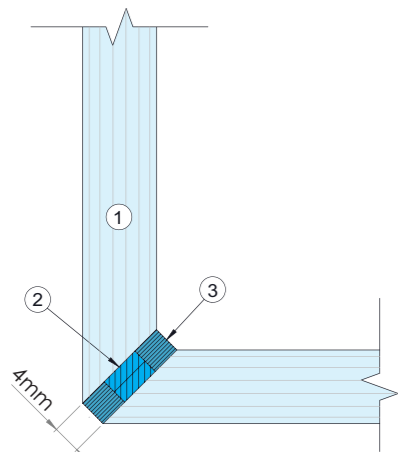
In Line Option (EI30 & EI90)



- 1 SYSTEMGLAS®
- 2 Silicone sealant

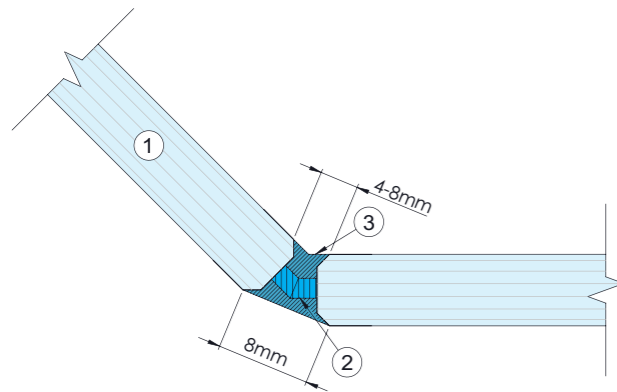
For EI120 Superwool X607 tape (4mm x 2.55mm) and Kerafix FXL200 tape (10mm x 2mm) is required to each glazing panel edge

90°



- 1 SYSTEMGLAS® EI30
- 2 Kerafix FXL220
- 3 Dow Corning Firestop
- 4 Optional covers (Plastic, steel or aluminium)

Variable (90°-180°)

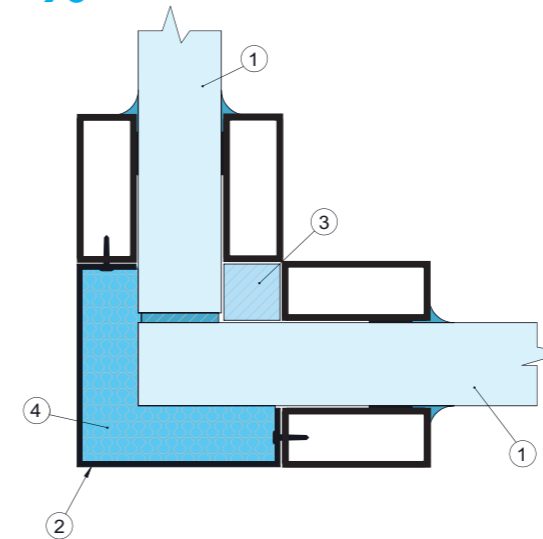


- 1 SYSTEMGLAS® (EI30 illustrated)
- 2 Kerafix FXL220
- 3 Dow Corning Firestop
- 4 Optional covers (Plastic, steel or aluminium)

Certifire CF5452

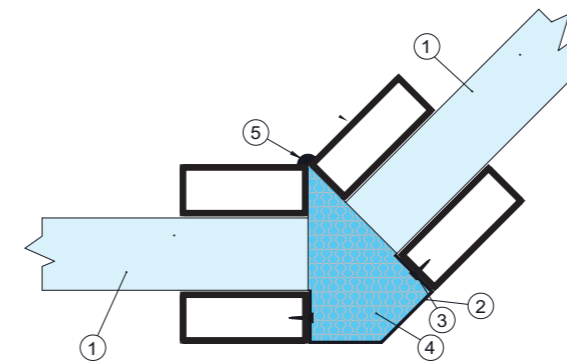
SYSTEMGLAS® BUTT JOINT OPTIONS FRAMED

90°



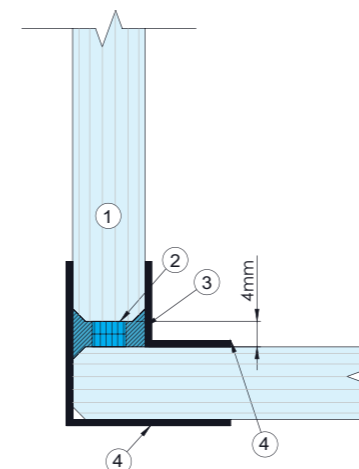
- 1 SYSTEMGLAS®
- 2 Steel cover profile
- 3 PROMATECT H strip 20x20mm fixed to steel with VICUBOND® adhesive
- 4 Mineral wool 60kg/m®
- 5 PROMASEAL® silicone

Variable (90°-180°)



- 1 SYSTEMGLAS®
- 2 Steel cover profile
- 3 PROMATECT H strip 20x20mm fixed to steel with VICUBOND® adhesive
- 4 Mineral wool 60kg/m®
- 5 PROMASEAL® silicone

90°



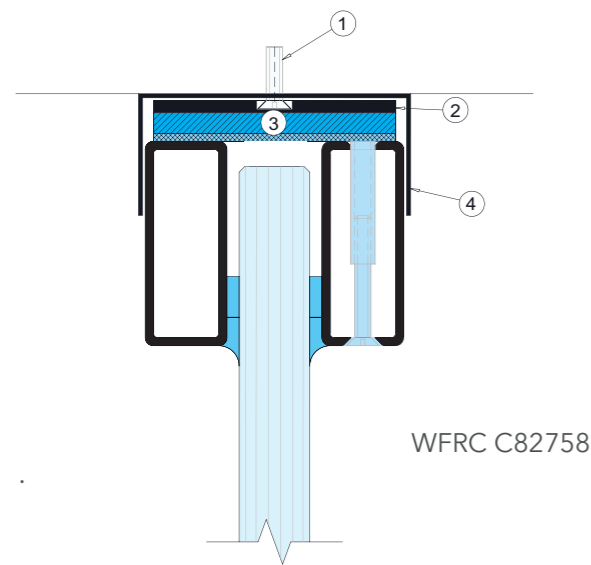
- 1 SYSTEMGLAS®
- 2 Kerafix FXL220
- 3 Dow Corning Firestop
- 4 Optional covers (Plastic, steel or aluminium)

WFRC C82758

SYSTEMGLAS® DEFLECTION HEAD OPTIONS

Promat's deflection heads allow for movement for systems that are likely to experience deflection created by live or dead loads on the floors above. These are fully tested as part of the complete SYSTEMGLAS® Ferro range.

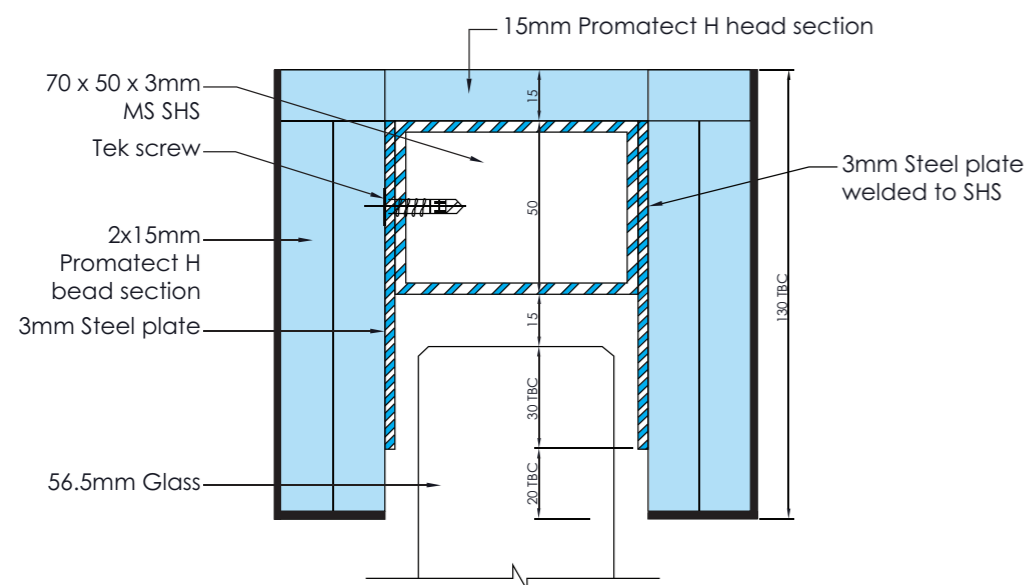
SYSTEMGLAS® Ferro EI30-EI60



- 1 6 mm expansion bolt at 500mm centres
- 2 PROMASEAL® PL intumescent strip (2.7mm thick)
- 3 Mineral wool, min 60kg/m³
- 4 3mm steel 'U' profile x 40mm (width dependent on fire rating)

WFR C82758

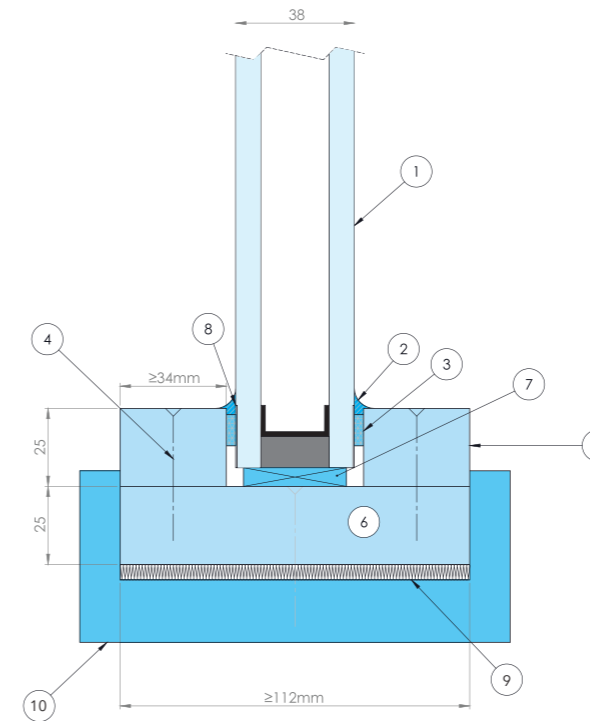
SYSTEMGLAS® Ferro EI90 - EI120



WF 506229

SYSTEMGLAS® CELARE EI60 F1

SYSTEMGLAS® F1 is a composite of toughened safety glass with an intermediate layer of fire protection. In the case of fire this performs highly effective insulation which prevents the ignition of flammable materials on the un-exposed side. The glass is UV resistant and available in much larger dimensions than conventional multi-layer fire resistant glass meaning that new designs are possible.



Certifire CF5481

- 1 SYSTEMGLAS® F1 8/22/8
- 2 SYSTEMGLAS® Silicone sealant
- 3 Self-adhesive neoprene glazing tape, 10x3mm
- 4 Bead fixings, steel screws, 3.5x45mm at maximum 300mm centres
- 5 Glazing Beads, PROMATECT® H 25mm thick x 34mm wide
- 6 Perimeter frame, PROMATECT® H 25mm thick x 106mm wide
- 7 PROMATECT® H setting blocks, 6mm thick x 25mm wide x 150mm long
- 8 Masonry fixing, steel anchor or similar
- 9 Compressed rock fibre 45kg/m³ density 10mm thick x 100mm
- 10 Solid wall, floor or soffit with fire resistance equal to, or greater than that of the glazing system

EI60 Glazing Specification

- Sizes outlined below.
- UV Stable
- 45 dBRw sound reduction
- 1B1 safety rating
- 66kg/m²
- 81% light transmission

Additional Glass Options

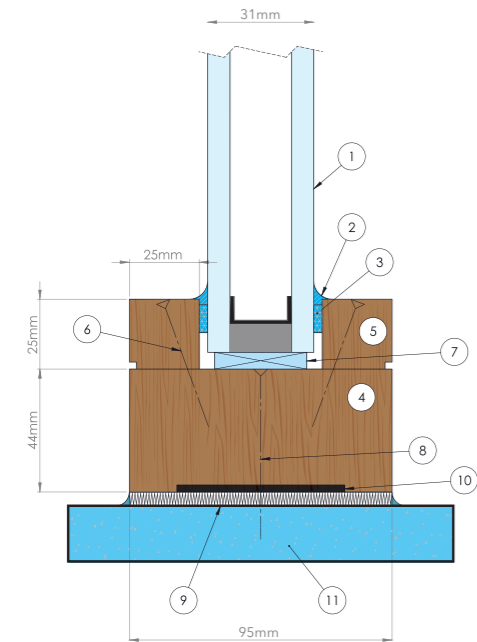
- Low Iron and patterned glass available
- Screen manifestation

SYSTEMGLAS® Celare F1 EI60 Maximum Dimensions

		Height (mm)	Width (mm)
VERTICAL		3000	1500
HORIZONTAL		1500	3500

SYSTEMGLAS® LIGNA EI30 F1

SYSTEMGLAS® F1 is a composite of toughened safety glass with an intermediate layer of fire protection. In the case of fire this performs highly effective insulation which prevents the ignition of flammable materials on the un-exposed side. The glass is UV resistant and available in much larger dimensions than conventional multi-layer fire resistant glass meaning that new designs are possible.

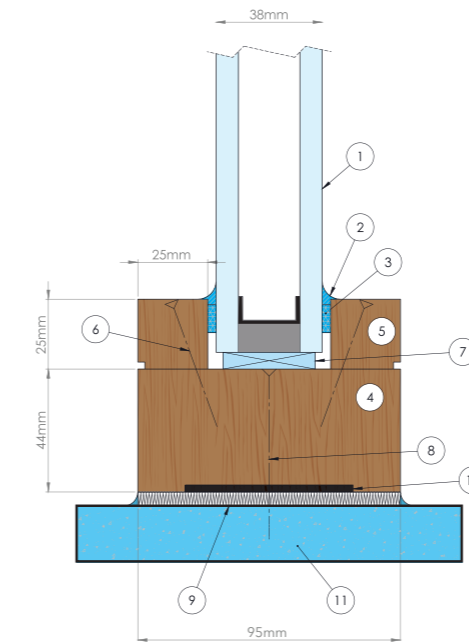


Certifire CF5481

- 1 SYSTEMGLAS® F1 8/15/8
- 2 SYSTEMGLAS® Silicone sealant
- 3 Self-adhesive neoprene glazing tape, 10x3mm
- 4 Hardwood timber frame (minimum 640kg/m³)
- 5 Hardwood beads (minimum 640kg/m³)
- 6 Steel screws 5mm x 50mm at maximum 300mm centres
- 7 PROMATECT® H or hardwood setting blocks, 6mm thick
- 8 Masonry fitting, steel anchor or similar
- 9 Compressed rock fibre 45kg/m³ 10mm thick x 95mm wide
- 10 Promat PL Strip
- 11 Solid wall, floor or soffit with fire resistance equal to, or greater than that of the glazing system

SYSTEMGLAS® LIGNA EI60 F1

SYSTEMGLAS® F1 is a composite of toughened safety glass with an intermediate layer of fire protection. In the case of fire this performs highly effective insulation which prevents the ignition of flammable materials on the un-exposed side. The glass is UV resistant and available in much larger dimensions than conventional multi-layer fire resistant glass meaning that new designs are possible..



Certifire CF5481

- 1 SYSTEMGLAS® F1 8/22/8
- 2 SYSTEMGLAS® Silicone sealant
- 3 Self-adhesive neoprene glazing tape, 10x3mm
- 4 Hardwood timber frame (minimum 640kg/m³)
- 5 Hardwood beads (minimum 640kg/m³)
- 6 Steel screws 5mm x 50mm at maximum 200mm centres
- 7 PROMATECT® H or hardwood setting blocks, 6mm thick
- 8 Masonry fitting, steel anchor or similar
- 9 Compressed rock fibre 45kg/m³ 10mm thick x 95mm wide
- 10 PROMASEAL® PL intumescent strip (2.7mm thick)
- 11 Solid wall, floor or soffit with fire resistance equal to, or greater than that of the glazing system

EI30 Glazing Specification

- Sizes outlined below
- UV stable
- 43 dBRw Sound reduction
- 1B1 Safety Rating
- 59kg / m²
- 84% light transmission

Additional Glass Options

- Low Iron & patterned glass available
- Screen Manifestation

EI60 Glazing Specification

- Sizes outlined below.
- UV Stable
- 45 dBRw sound reduction
- 1B1 safety rating
- 66kg/m²
- 81% light transmission

Additional Glass Options

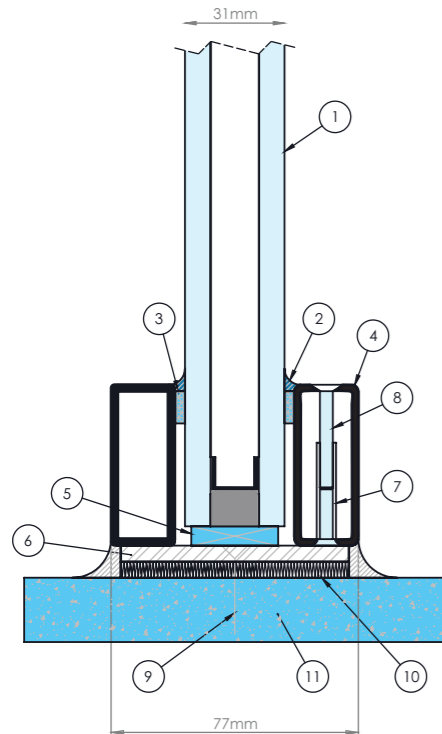
- Low Iron & patterned glass available
- Screen Manifestation

SYSTEMGLAS® Ligna F1 EI30 Maximum Dimensions			
		Height (mm)	Width (mm)
VERTICAL		3500	1500
HORIZONTAL		1500	3500

SYSTEMGLAS® Ligna F1 EI60 Maximum Dimensions			
		Height (mm)	Width (mm)
VERTICAL		3500	1500
HORIZONTAL		1500	3500

SYSTEMGLAS® FERRO EI30 F1

SYSTEMGLAS® F1 is a composite of toughened safety glass with an intermediate layer of fire protection. In the case of fire this forms a highly effective insulation which prevents the ignition of flammable materials on the un-exposed side. The glass is UV resistant and available in much larger dimensions than conventional multi-layer fire resistant glass meaning that new designs are possible.



Certifire CF5481

- 1 SYSTEMGLAS® F1 8/15/8
- 2 SYSTEMGLAS® Silicone sealant
- 3 Self-adhesive neoprene glazing tape, 10x3mm
- 4 50x20x2mm tubular steel sections
- 5 PROMATECT® H setting blocks, 6mm thick x 17mm x 150mm long
- 6 40x57*x5mm flat steel. Fixed to tubular steel sections (* variable to suit overall glass width)
- 7 M6 threaded brace, fixed to flat steel
- 8 Steel screw, 6x30mm
- 9 Masonry fitting, steel anchor or similar
- 10 Compressed rock fibre or Promatect H® infill strips
- 11 Solid Wall, floor or soffit with fire resistance equal to, or greater than that of the glazing system

EI30 Glazing Specification

- Sizes outlined below
- UV stable
- 43 dBRw Sound reduction
- 1B1 Safety Rating
- 59kg / m²
- 86% light transmission

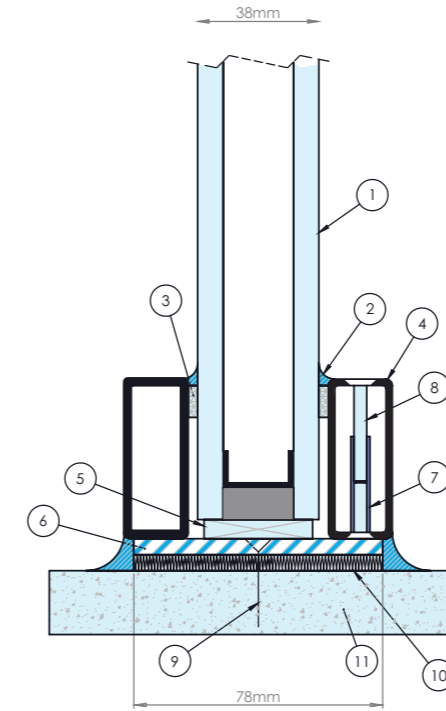
Additional Glass Options

- Low Iron & patterned glass available
- Screen Manifestation

SYSTEMGLAS® Ferro F1 EI30 Maximum Dimensions			
		Height (mm)	Width (mm)
VERTICAL		3500	1500
HORIZONTAL		1500	3500

SYSTEMGLAS® FERRO EI60 F1

SYSTEMGLAS® F1 is a composite of toughened safety glass with an intermediate layer of fire protection. In the case of fire this forms a highly effective insulation which prevents the ignition of flammable materials on the un-exposed side. The glass is UV resistant and available in much larger dimensions than conventional multi-layer fire resistant glass meaning that new designs are possible.



Certifire CF5481


- 1 SYSTEMGLAS® F1 8/22/8
- 2 SYSTEMGLAS® Silicone sealant
- 3 Self-adhesive neoprene glazing tape, 10x3mm
- 4 50x20x2mm tubular steel sections
- 5 PROMATECT® H setting blocks, 6mm thick x 25mm x 150mm long
- 6 40x57*x5mm flat steel. Fixed to tubular steel sections (* variable to suit overall glass width)
- 7 M6 threaded brace, fixed to flat steel
- 8 Steel screw, 6x30mm
- 9 Masonry fitting, steel anchor or similar
- 10 Compressed rock fibre or Promatect H® infill strips
- 11 Solid Wall, floor or soffit with fire resistance equal to, or greater than that of the glazing system

EI60 Glazing Specification

- Sizes outlined below
- UV Stable
- 45 dBRw Sound reduction
- 1B1 Safety Rating
- 68kg / m²
- 85% light transmission

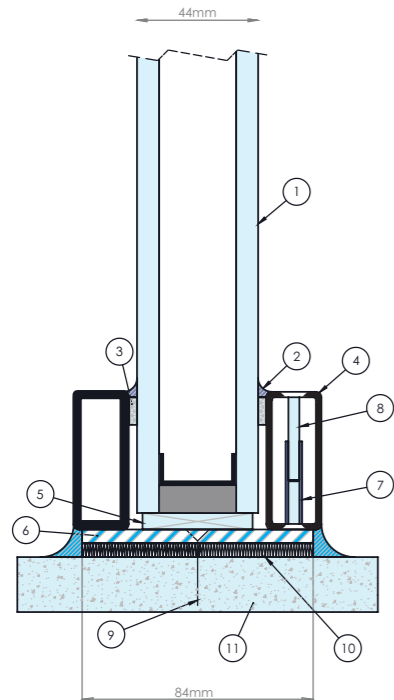
Additional Glass Options

- Low Iron and patterned glass available
- Screen Manifestation

SYSTEMGLAS® Ferro F1 EI60 Maximum Dimensions			
		Height (mm)	Width (mm)
VERTICAL		3500	1500
HORIZONTAL		1500	3500

SYSTEMGLAS® FERRO EI90 F1

SYSTEMGLAS® F1 is a composite of toughened safety glass with an intermediate layer of fire protection. In the case of fire this forms a highly effective insulation which prevents the ignition of flammable materials on the un-exposed side. The glass is UV resistant and available in much larger dimensions than conventional multi-layer fire resistant glass meaning that new designs are possible. .



Certifire CF5481

- 1 SYSTEMGLAS® F1 8/28/8
- 2 SYSTEMGLAS® Silicone sealant
- 3 Self-adhesive neoprene glazing tape, 10x 3mm
- 4 50x20x2mm tubular steel sections
- 5 PROMATECT® H 6mm setting blocks x 150mm long
- 6 40x57*x5mm flat steel. Fixed to tubular steel sections (* variable to suit overall glass width)
- 7 M6 threaded brace, fixed to flat steel
- 8 Steel screw, 6 x 30mm
- 9 Masonry fitting, steel anchor or similar
- 10 Compressed rock fibre or Promatect H® infill strips
- 11 Solid Wall, floor or soffit with fire resistance equal to, or greater than that of the glazing system

EI90 Glazing Specification

- Sizes outlined below
- UV stable
- 45 dBRw Sound reduction
- 1B1 Safety Rating
- 72kg / m²

Additional Glass Options

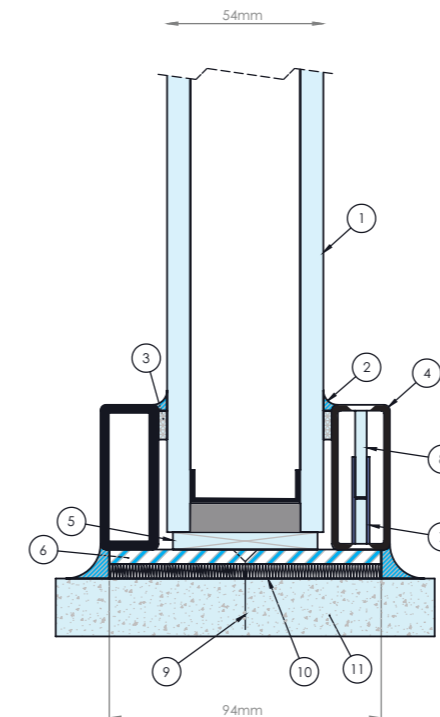
- Low Iron and patterned glass available
- Screen Manifestation

SYSTEMGLAS® Ferro F1 EI90 Maximum Dimensions

		Height (mm)	Width (mm)
VERTICAL		3500	1500
HORIZONTAL		1500	3500

SYSTEMGLAS® FERRO EI120 F1

SYSTEMGLAS® F1 is a composite of toughened safety glass with an intermediate layer of fire protection. In the case of fire this forms a highly effective insulation which prevents the ignition of flammable materials on the un-exposed side. The glass is UV resistant and available in much larger dimensions than conventional multi-layer fire resistant glass meaning that new designs are possible. .



Certifire CF5481

- 1 SYSTEMGLAS® F1 8/38/8
- 2 SYSTEMGLAS® Silicone sealant
- 3 Self-adhesive neoprene glazing tape, 10x 3mm
- 4 50x20x2mm tubular steel sections
- 5 PROMATECT® H 6mm setting blocks x 150mm long
- 6 40x57*x5mm flat steel. Welded to tubular steel sections (* variable to suit overall glass width)
- 7 M6 threaded brace, welded to flat steel
- 8 Steel screw, 6 x 30mm
- 9 Masonry fitting, steel anchor or similar
- 10 Compressed rock fibre or Promatect H® infill strips
- 11 Solid Wall, floor or soffit with fire resistance equal to, or greater than that of the glazing system

EI120 Glazing Specification

- Sizes outlined below
- UV Stable
- 47 dBRw Sound reduction
- 1B1 Safety Rating
- 84kg / m²
- 80% light transmission

Additional Glass Options

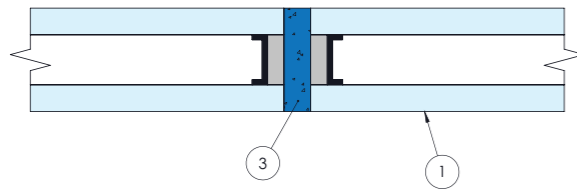
- Low Iron & patterned glass available
- Screen Manifestation

SYSTEMGLAS® Ferro F1 EI120 Maximum Dimensions

		Height (mm)	Width (mm)
VERTICAL		3500	1500
HORIZONTAL		1500	3500

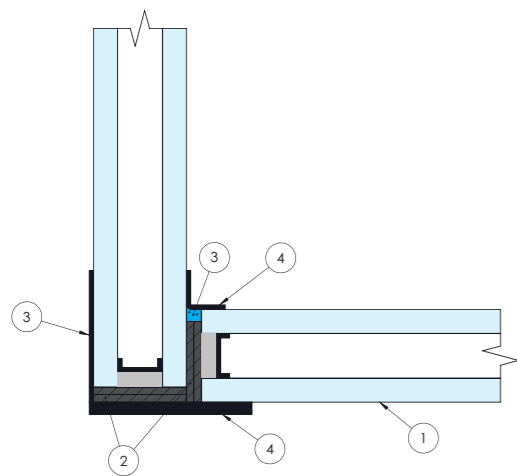
SYSTEMGLAS® F1 JOINT OPTIONS

In Line Option



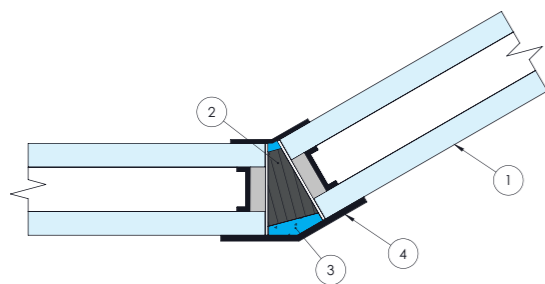
- 1 SYSTEMGLAS®
- 2 Silicone sealant

90°



- 1 SYSTEMGLAS®
- 2 Sealmaster Glazing Tape
- 3 Silicone Sealant
- 4 Optional covers (Plastic, steel or aluminium)

Variable (90°-180°)



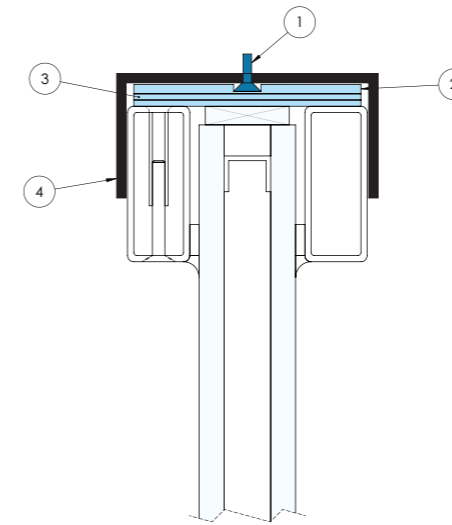
- 1 SYSTEMGLAS®
- 2 Sealmaster Glazing Tape
- 3 Silicone Sealant
- 4 Optional covers (Plastic, steel or aluminium)

Certifire CF5481

SYSTEMGLAS® DEFLECTION HEAD OPTIONS

If there is likelihood of movement within the substrates to which the frame is secured that could cause additional stress or weight then a movement joint must be constructed. Deflection heads are offered for all SYSTEMGLAS® Ferro (EI30 - EI120) systems as a solution.

SYSTEMGLAS® Ferro F1 EI30-EI120



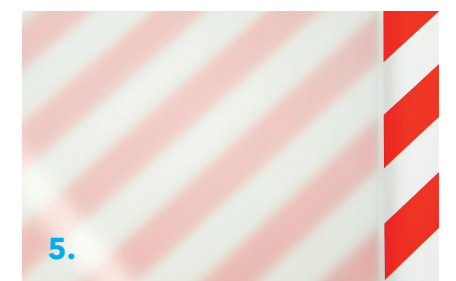
- 1 6mm expansion bolt at 500mm centres
- 2 PROMASEAL® PL intumescent strip (2.7mm thick)
- 3 Mineral wool, min 60kg/m³
- 4 3mm steel 'U' profile x 40mm (width dependent on fire rating)

Certifire CF5481

SYSTEMGLAS® F1 Patterned Options

Possible glass surfaces

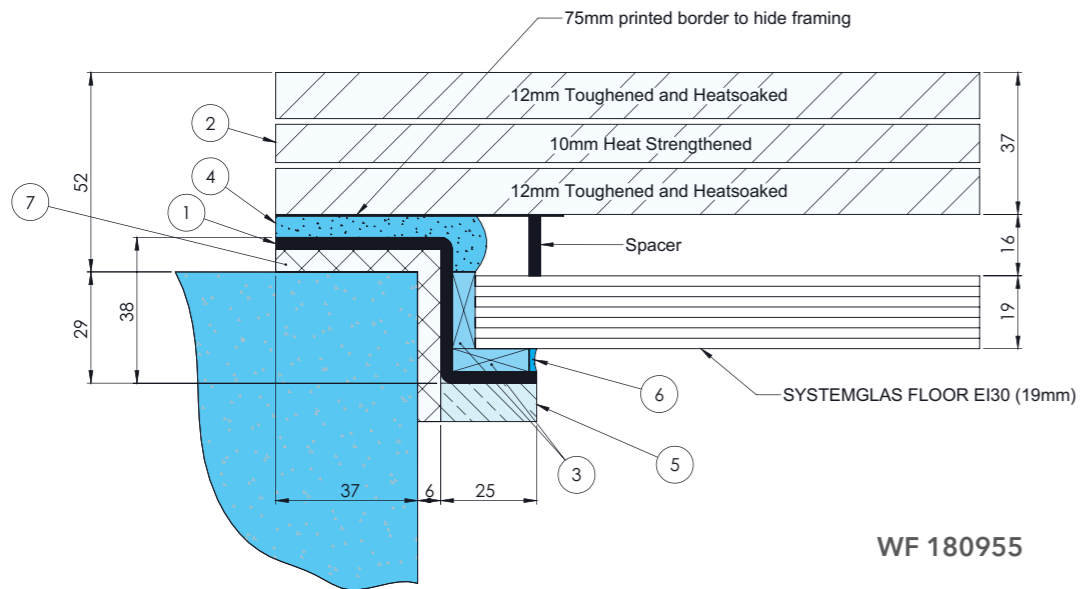
- 1. Chinchilla clear 6 or 8mm
- 2. Mastercarre clear 6 or 8mm
- 3. Silvit clear 6 or 8mm
- 4. SR 200 white 6 or 8mm
- 5. Laminated Glass with mat foil 8mm



SYSTEMGLAS® STRATUM EI30 & EI60

SYSTEMGLAS® Stratum load bearing walk on floor is a completely new construction from Promat designed to give architects even greater creative scope. The floor combines a structural glass floor and either EI30 or EI60 Glass to provide fire protection between floors. Patterned and non-slip options are available and this is proving especially popular with basement conversions.

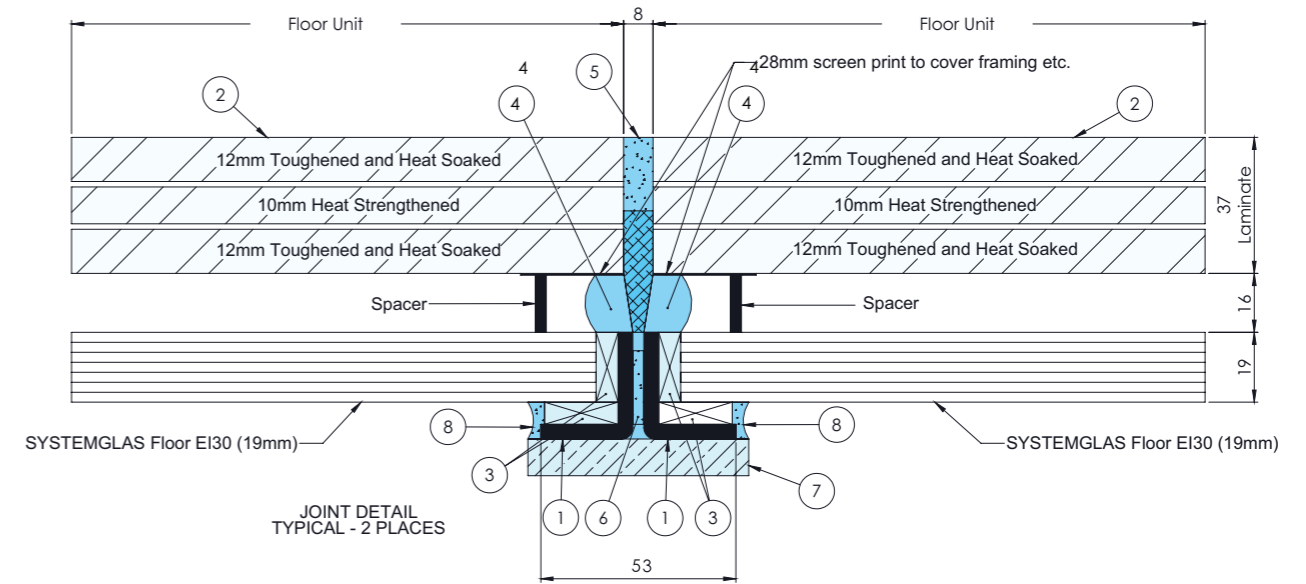
EI30 Illustrated



WF 180955

- 1 Glazing frame 3mm mild steel 46mm x 35mm x 22mm mitred and welded
- 2 SYSTEMGLAS® EI30 IGU (37mm toughened laminate, 16mm spacer, 19mm SYSTEMGLAS® insulating fire glass) with 75mm screen printed perimeter border
- 3 Glass edge seal, self adhesive 6mm x 20mm ceramic glazing tape
- 4 Structural grade silicone DC3362
- 5 10mm Superwool 607H board x 25mm
- 6 Promat SYSTEMGLAS sealant
- 7 Ceramic Fibre bedding around the base (by others)

SYSTEMGLAS® STRATUM MULTI PANE (EI30 ONLY)



WF 180955

- 1 3mm mild steel angle 29mm x 25mm mitred and welded
- 2 SYSTEMGLAS® EI30 IGU (37mm toughened laminate, 16mm spacer, 19mm SYSTEMGLAS insulating fire glass) with 28mm centre printed border
- 3 Glass edge seal, self adhesive 6mm x 20mm ceramic glazing tape
- 4 Structural grade silicone DC3362
- 5 PROMASEAL® black fire retardent silicone
- 6 Promat SYSTEMGLAS® sealant
- 7 10mm Superwool 607H board x 25mm
- 8 Promat SYSTEMGLAS® sealant

SYSTEMGLAS® STRATUM Floor Dimensions			
	Dimensions (mm)	Area (m ²)	Weight KG m ²
EI30	1610mm x 1881mm 1771mm x 1710mm	3.03m ²	126 kg / m ²
EI60	1040mm x 2244mm 1144mm x 2040mm	2.33m ²	150 kg / m ²

SYSTEMGLAS® STRATUM Maximum Floor Modular Dimensions (unlimited modules)			
	Dimensions (mm)	Area (m ²)	Weight KG m ²
EI30	2335mm x 1210mm 2116mm x 1331mm	2.83m ²	126 kg / m ²

SYSTEMGLAS® PROJECT SNAPSHOTS

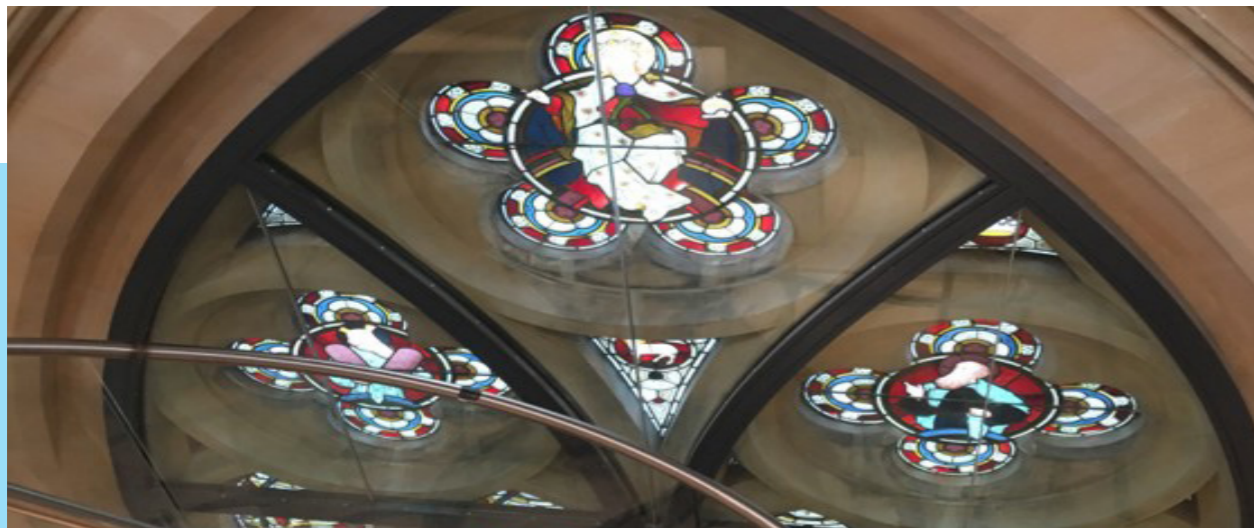
Winchester Avenue, Grimsby.

Promat SYSTEMGLAS® Ligna was recently installed to provide assured passive fire protection for an EI60 glazed atrium at a brand new 60 unit care home in Grimsby. To meet the technical and aesthetic challenges Promat manufactured solid oak timber frames to accommodate widened framing, UV stable glass whilst maintaining the full 3rd party accreditation of the Ligna EI60 system.



Christchurch, Teddington.

Promat SYSTEMGLAS® Celare and Ligna systems were used in the conversion of a 150 year old church to 6 luxury apartments. SYSTEMGLAS® Celare EI30 with anthracite trims matched the modern internal decor of the apartments whilst Ligna was chosen for the centre piece Gothic stained glass windows.



SYSTEMGLAS® PROJECT SNAPSHOTS

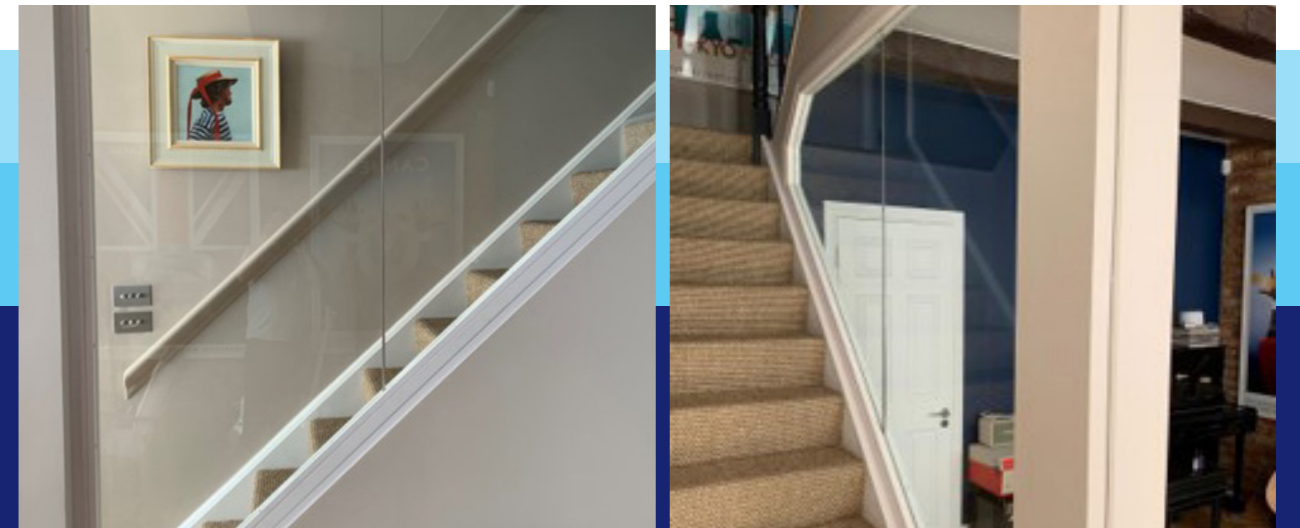
Engineering Company, Germany.

Promat SYSTEMGLAS® Advenerat provided up to 30 minutes (EI30) fire protection in the boardroom of a leading German engineering company. The PROMATECT® H framing is over clad with a polished aluminium trim and along with the butt jointed glazing creates a futuristic effect and an open environment.



Mews House, London.

Promat SYSTEMGLAS® Ligna was used to provide staircase compartmentation between the ground and first floor. The clear butt jointed glazing opened up the living space, providing a panoramic view of the living area whilst providing that all important EI30 fire rating.



SYSTEMGLAS® PROJECT SNAPSHOT

Royal Wharf, Pontoon Dock.

Promat SYSTEMGLAS® Ligna was installed at a brand new health centre forming part of the Royal Docks regeneration programme. The contemporary timber framing in conjunction with butt joint glazing and matching doorsets was selected to maximise light transmission whilst providing maximum assurance of fire safety from the leading reference in passive fire protection..



Walled Garden.

Promat SYSTEMGLAS® Celare was used to provide fire protection on a revolutionary new-build Passivhaus project in Devon. The PROMATECT® H framing is fully concealed in the walls and floor to offer a 'virtually frameless' solution for ultra-modern slim internal windows, which would have been difficult to achieve with a conventional system due to the slim sizes.



SYSTEMGLAS® ICONIC BUILDINGS

India Building, Liverpool

Built between 1924 and 1932 for the Blue Funnel Shipping Line this recently refurbished Grade 2 listed building includes 5mtr wide Promat SYSTEMGLAS® Ligna F1 EI60 clerestory windows.



22 Bishopsgate, City Of London

Standing 278m (912ft) this commercial skyscraper in London occupies a prominent position in the financial district. Promat SYSTEMGLAS® Ferro F1 EI120 screens were installed in the main atria and basement.



Highclere Castle, Hampshire

Famous as the location for the hit BBC TV series "Downton Abbey" Highclere Castle is a magnificent Grade 1 listed house that attracts thousands of visitors each year. Promat SYSTEMGLAS® Celare was installed at the visitors centre.



Buxton Spa Hotel, Derbyshire

Promat PYROSEC® doors were installed as part of a 17year, £70 million renovation. Situated in the ancient town of Buxton famous for its thermal springs this 81 room hotel and spa finally opened its doors again in 2020.





Benefit from 60 years of experience

Promat is the leading reference and pioneer in the fields of fire, thermal, and acoustic protection. With a strong global presence and 60 years of experience, innovation and know-how, Promat UK is the first choice for fire rated doors and glazing systems.

Global sales & technical support

Promat has more than 1,300 employees spread over 13 factories, 40 sales offices and 2 innovation centres worldwide. The company is part of Etex Industry, a division of the Belgian industrial group Etex, specialised in the manufacture and supply of construction materials.

Sales offices and production facilities

Australia, Austria, Belgium, Brazil, Bulgaria, China, Chile, Colombia, Czech Republic, Denmark, France, Germany, Hong Kong, Hungary, India, Ireland, Italy, Japan, Kazakhstan, Lithuania, Malaysia, The Netherlands, Peru, Poland, Romania, Serbia, Singapore, Slovakia, South Africa, Slovenia, South Korea, Spain, Switzerland, UAE, UK, USA.

Promat UK Limited

B1 Heywood Distribution Park, Pilsworth Road,
Heywood, Lancashire, OL10 2TS

T: 0800 588 4444

E: promatukmarketing@etexgroup.com

[promat.com/industry](https://www.promat.com/industry)